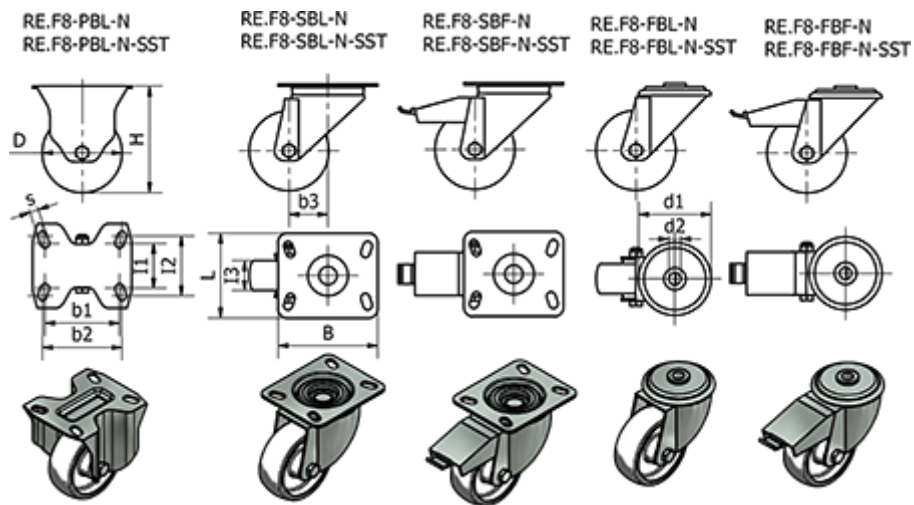


Article number: 2314450671

Description: E+G polyamide wheel
RE.F8-150-PBL-N - Fixed plate in Zinc-plated steel

Measures



= -	d2	=	Rolling resistance (N) = 2500
B = 140	Dynamic carrying capacity (N) = 3000		s = 11
b1 = 105	H = 194		Type = RE.F8-150-PBL-N
b2 = 105	l1 = 73		Wight (g) = 1450
b3 =	l2 = 85		
Code = 450671	l3 = 45		
D = 150	L = 114		
d1 =	R =		